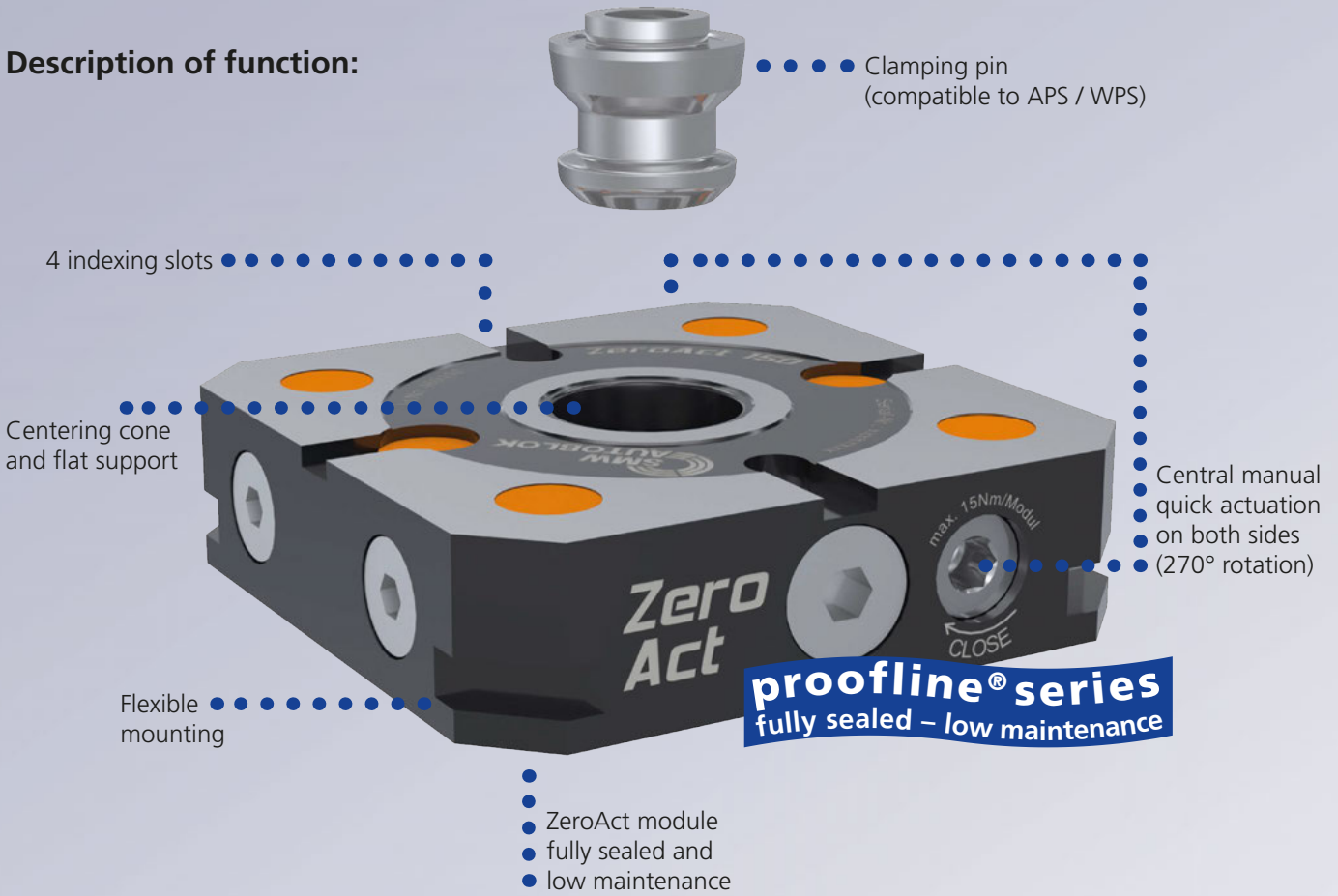


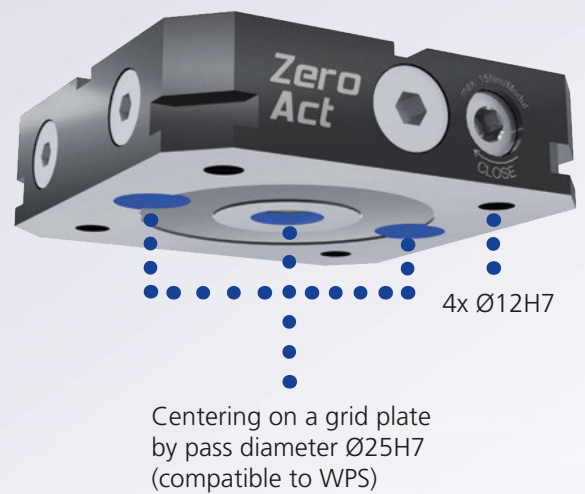
Description of function:



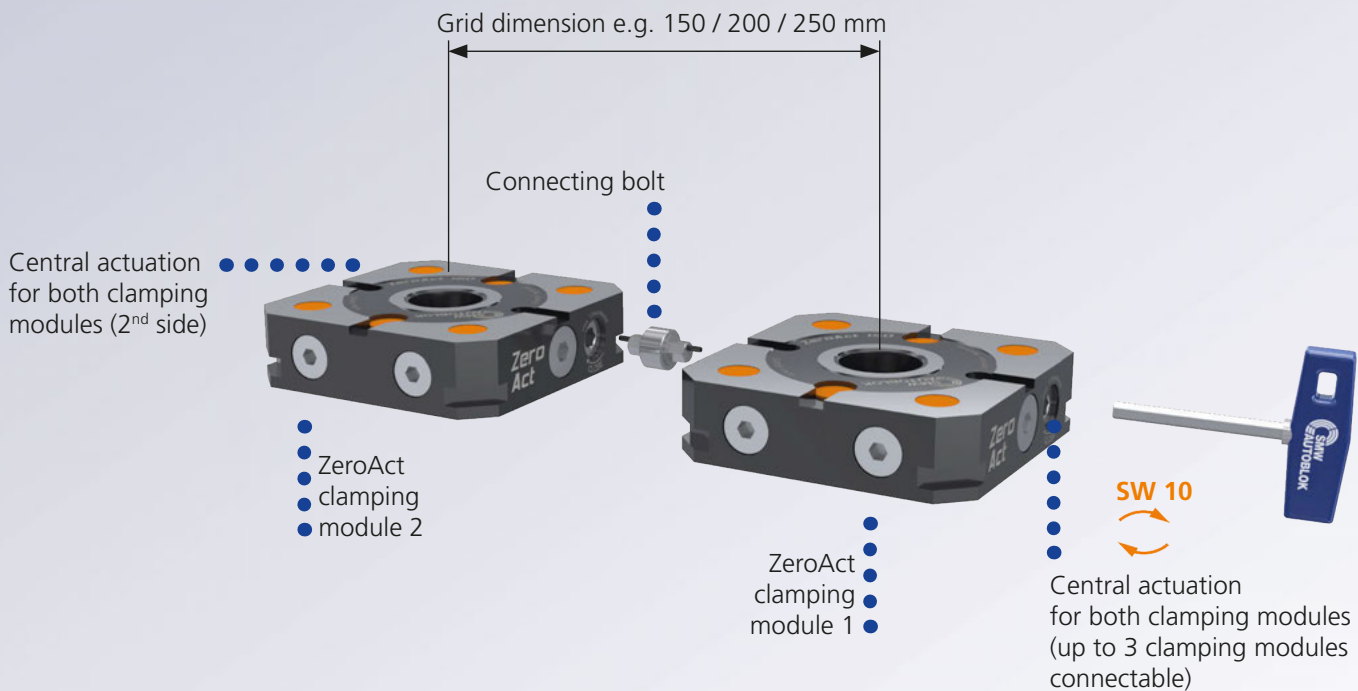
Mounting options:



View from below:



Up to 3 ZeroAct modules can be connected in a row with central actuation:



Application examples for connecting up to 3 clamping modules with central acuation:

2 ZeroAct clamping modules in a row, grid dimension 200 mm



4 ZeroAct clamping modules (2x2 modules in a row), grid dimension 200 mm



6 ZeroAct clamping modules (2x3 modules in a row), grid dimension 200 mm



4 ZeroAct clamping modules (2x2 modules in a row), grid dimension 150 mm





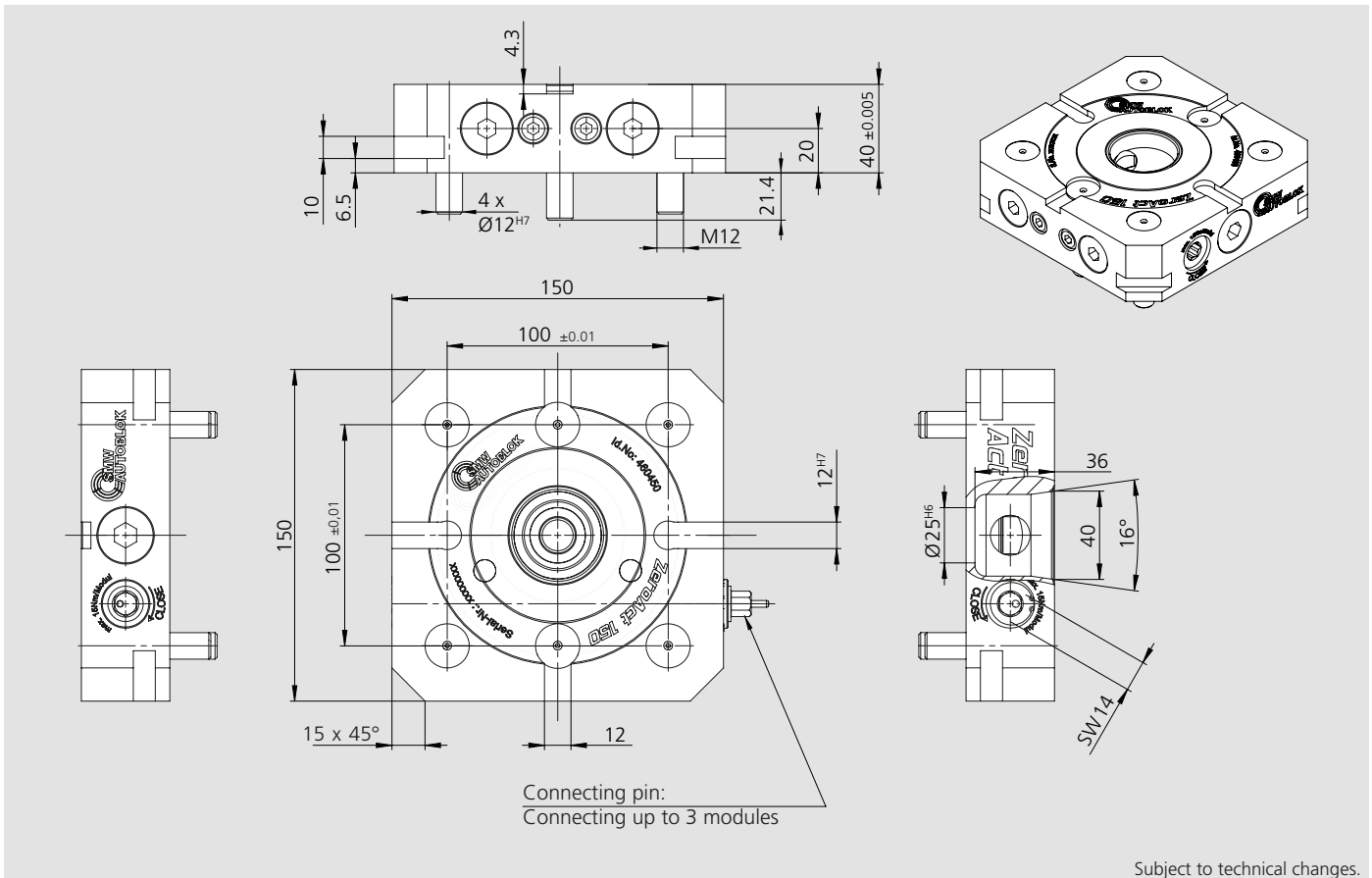
proofline® series
fully sealed – low maintenance

Application/customer benefits

- Up to 3 ZeroAct modules can be connected in a row with central actuation
- Single quick-actuation for the rapid opening and closing of the modules with only 270° rotation
- Extremely flat design
- Huge reduction of set-up times for highest efficiency
- Safe workpiece clamping with maximum holding forces and highest repeatability
- Flexible configurations for customized use
- 4 indexing slots
- Interchangeable to the proven zero point systems APS / WPS

Technical features

- Diameter 150 x 150 mm, height 40 mm
- Pull-in force 15 kN
- Max. torque 15 Nm
- Repeatability < 0.005 mm
- Holding force 35 / 50 / 75 kN (M12 / M16) depending on thread of clamping pin
- 2 clamping slides for maximum hold while clamping
- **proofline®** = fully sealed - low maintenance



Subject to technical changes.

Technical data

SMW-AUTOBLOK Type		ZeroAct 460450
Pull-in force	kN	15
Repeatability	mm	< 0.005
Holding force M10	kN	35
Holding force M12	kN	50
Holding force M16	kN	75

■ Clamping pins 1 piece

Manual zero point module

Application/customer benefits

- Fixation and positioning on the clamping system WPS
- Wear-resistant due to an extra hard protective coating
- Large entry radius of the clamping pins for easy and safe loading

Technical features

- Centering pin type A (standard)
- Sword pin type B (positioning pin)
- Clamping pin type C (with centering play 0.1 mm)

Standard equipment

Clamping pin with mounting screw

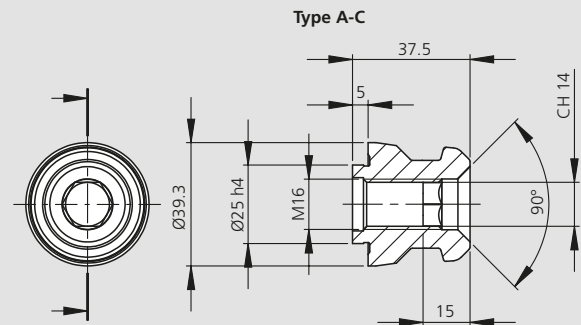
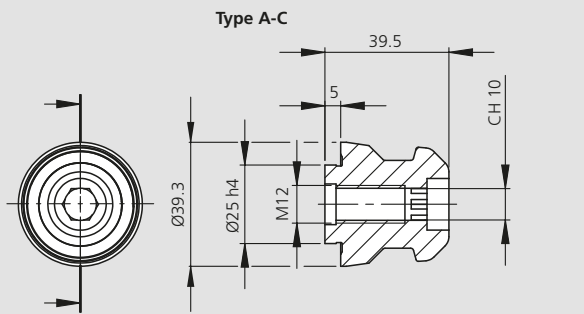
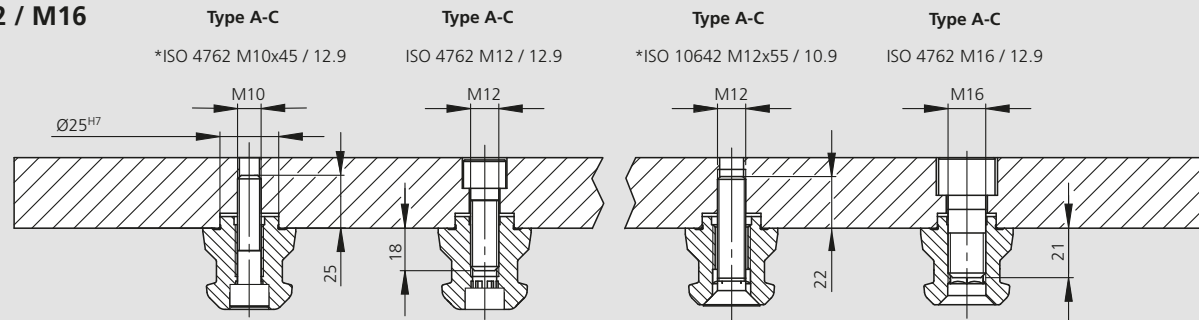


Type A

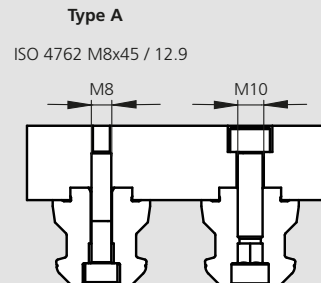
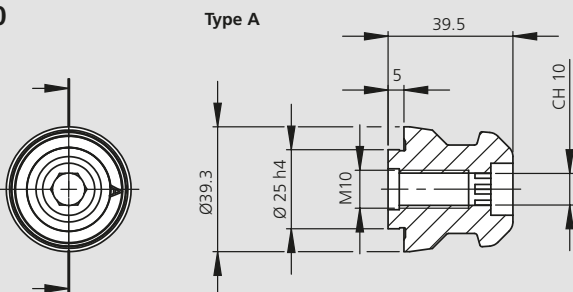
Type B

Type C

M12 / M16



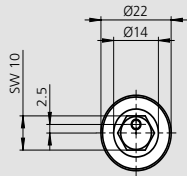
M10



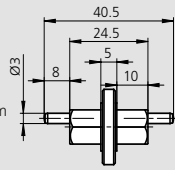
Subject to technical changes.

Order review

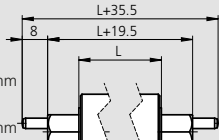
Type	Thread	Type A Id. No.	Type B Id. No.	Type C Id. No.	Weight [kg]
Clamping pin ZeroAct	M10 / 12.9	467008	on request	-	0.3
Clamping pin ZeroAct	M12 / 12.9	46162355	on request	46162357	0.3
Clamping pin ZeroAct	M16 / 12.9	46162455	on request	46162457	0.3



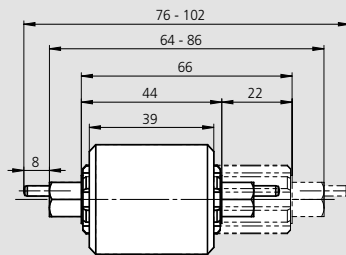
460457
Grid dimension 150 mm



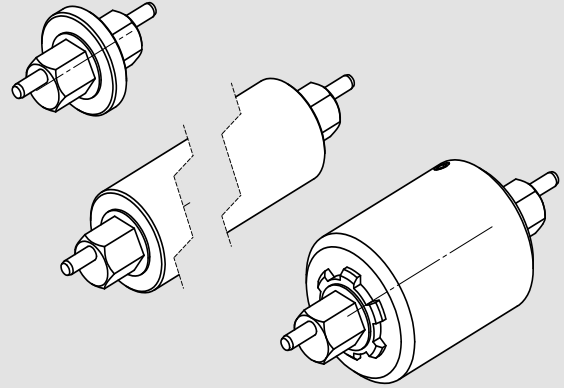
460474
Grid dimension 200 mm



460475
Grid dimension 250 mm



460476
T-Slot table
(grid dimension
189 mm - 210 mm)



Subject to technical changes.

Order review

Type	Grid distance	Id. No.
ZeroAct connecting pin length 5 mm	150 mm	460457
ZeroAct connecting pin length 55 mm	200 mm	460474
ZeroAct connecting pin length 105 mm	250 mm	460475
ZeroAct connecting pin length 44 - 66 mm	63 - 70 T-slot	460476